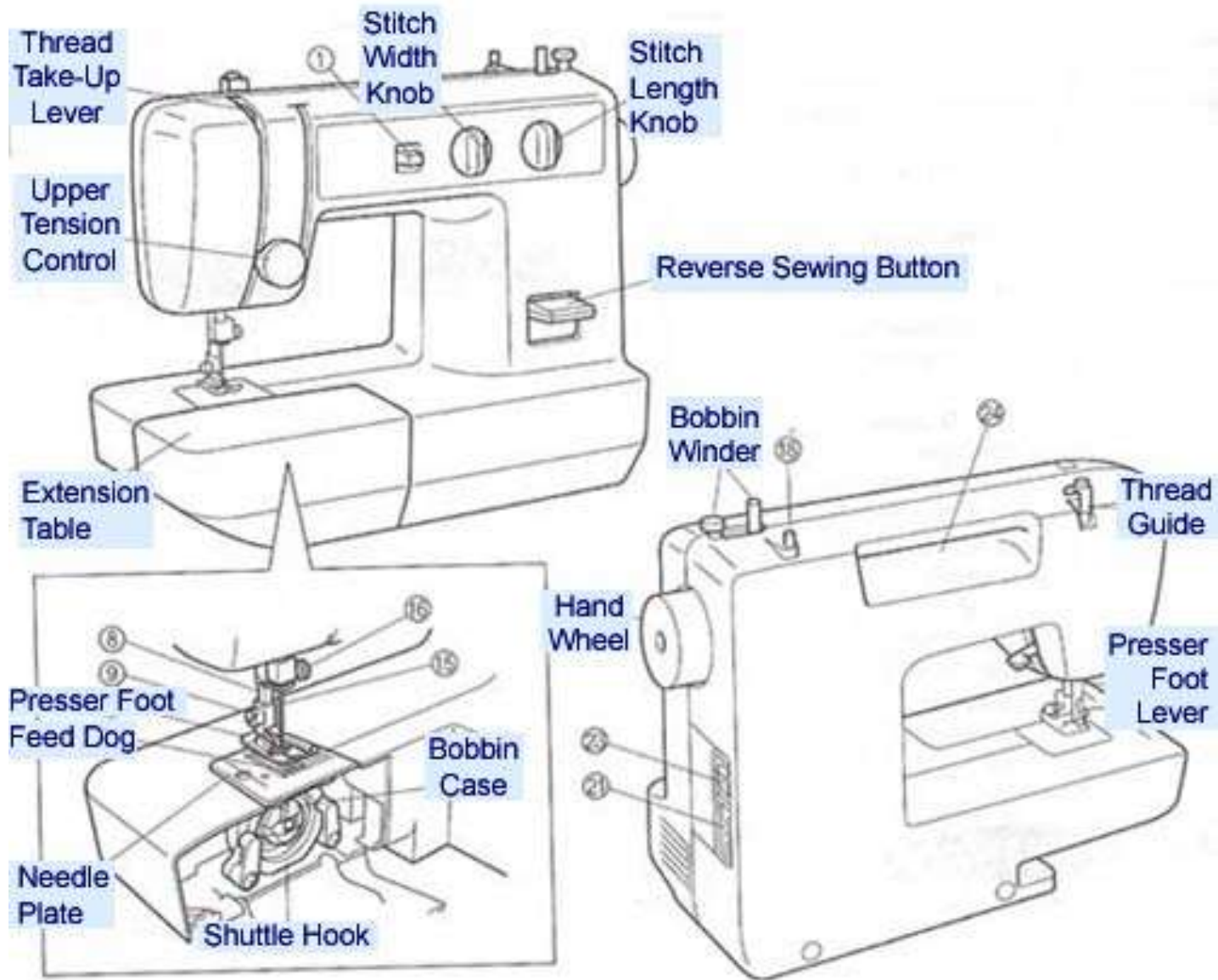


# Know Your Sewing Machine



# Know Your Sewing Machine

## Health and Safety Observation

Circle all the things you think could be dangerous in the textiles room, then write a them in the table provided with a rule that could be used to prevent the hazard. An example has been done for you.



Safety Hazard	Rule to prevent the hazard
Three people around sewing machine	Only one person to each sewing machine